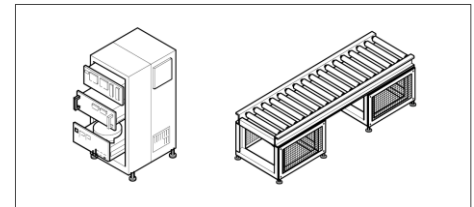
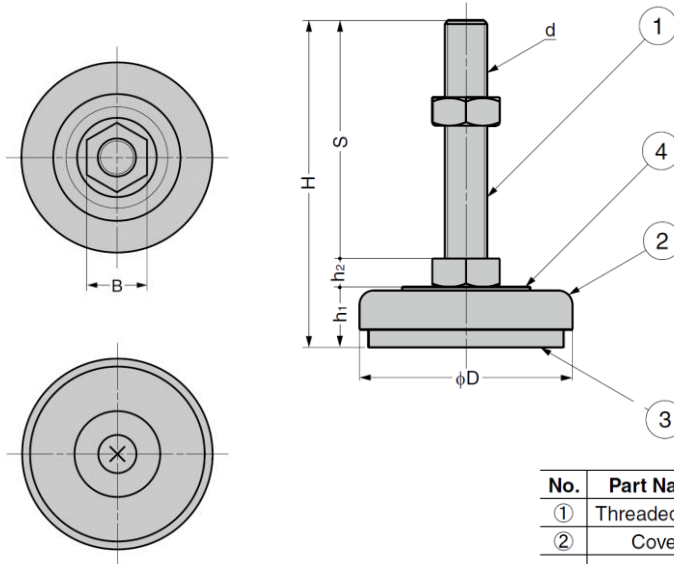


GADW / WH Levelling Glide

Features

- Cross-recessed bottom allows easy installation with impact wrench
- **GADW**: Excellent weather resistance
- **GADWH**: Excellent heat / weather resistance with non-stain transfer base
- Wide variety of size variations available



| No. | Part Name | Material | Finish/Colour |
|-----|---------------|--------------|----------------|
| ① | Threaded Bolt | Steel (SS) | Black Chromate |
| ② | Cover | Steel (SPCC) | |
| ③ | Base | ADW/CR | Black |
| | | ADWH/EPDM | White |
| ④ | Washer | PA | - |

| Part No. | Base Material | d | D | H | h ₁ | h ₂ | S | B | Load Capacity (per piece) |
|---------------|---------------|-----|-----|------|----------------|----------------|---------------------|---------------------|---------------------------|
| GADW40-8-60 | CR | M8 | 40 | 78.5 | 13 | 5.5 | 60 | 13 | 3,332 N / 340 kg |
| GADW40-10-50 | | M10 | | 70 | | | 7 | 50 | 17 |
| GADW50-12-70 | | M12 | 50 | 93 | 15 | 8 | 70 | 19 | 8,232 N / 840 kg |
| GADW50-12-100 | | | | 123 | | | 100 | | 6,762 N / 690 kg |
| GADW50-12-120 | | | | 143 | | | 120 | | 6,860 N / 700 kg |
| GADW60-16-70 | | | | 97 | | | 70 | | 12,838 N / 1,310 kg |
| GADW60-16-100 | | M16 | 60 | 127 | 17 | 10 | 100 | 24 | 12,544 N / 1,280 kg |
| GADW60-16-130 | | | | 157 | | | 130 | | 11,858 N / 1,210 kg |
| GADW60-20-100 | | | | 130 | | | 100 | | 13,034 N / 1,330 kg |
| GADW60-20-130 | | M20 | 60 | 160 | 17 | 13 | 130 | 30 | 14,406 N / 1,470 kg |
| GADH40-8-60 | M8 | | | 40 | | | 78.5 | | 13 |
| GADH40-10-50 | M10 | 70 | 7 | | 50 | 17 | 5,684 N / 580 kg | | |
| GADH50-12-70 | EPDM | M12 | 50 | 93 | 15 | 8 | 70 | 19 | 8,036 N / 820 kg |
| GADH50-12-100 | | | | 123 | | | 100 | | 7,056 N / 720 kg |
| GADH50-12-120 | | | | 143 | | | 120 | | 6,566 N / 670 kg |
| GADH50-12-150 | | | | 173 | | | 150 | | 6,076 N / 620 kg |
| GADH60-16-70 | | M16 | 60 | 97 | 17 | 10 | 70 | 24 | 12,054 N / 1,230 kg |
| GADH60-16-100 | | | | 127 | | | 100 | | 10,780 N / 1,100 kg |
| GADH60-20-100 | 130 | | | 100 | | | 15,288 N / 1,560 kg | | |
| GADH60-20-130 | M20 | 60 | 160 | 17 | 13 | 130 | 30 | 16,856 N / 1,720 kg | |